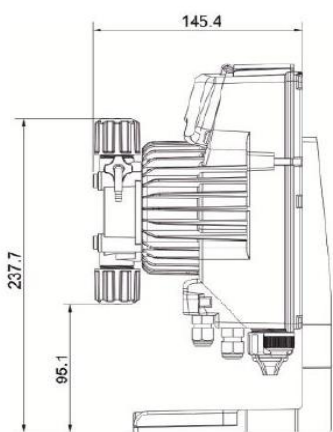


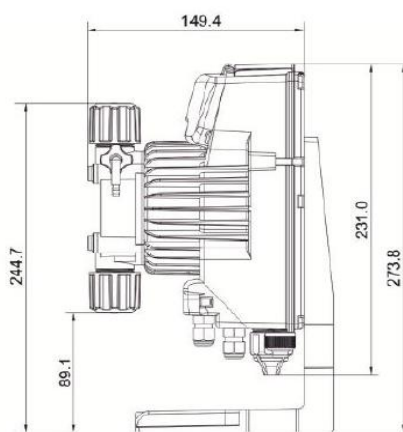
FISA TEHNICA Pompa dozatoare analogica tip AKL

CARACTERISTICI TEHNICE:

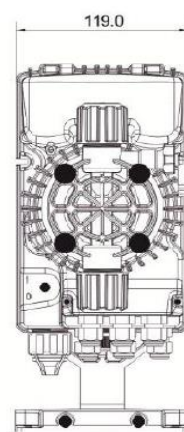
- Pompa dozatoare solenoidala analogica
- Debit constant, ajustabil manual: 0,4-110 l/h
- Presiune: 0,1- 20 bar
- Alimentare:
 - 100÷240 Vac 50-60 Hz
 - 24÷48 Vac (doar pentru AKL603);
- Frecventa impulsuri: 120-300 impulsuri/min
- Carcasa: PP armata cu fibra de sticla, grad de protectie IP65
- Materiale: cap pompare PVDF/PVC, membrana PTFE, garnituri FPM/EPDM/PTFE, bile ceramica;
- Kit de instalare: filtru de aspiratie si dispozitiv de injectie PDVF/PVC, tub flexibil din PVC pentru aspiratie (4 m), tub flexibil din PE pentru refulare (2 m), dispozitiv de prindere.



500 - 600 - 603 - 800



803



500 - 600 - 603 - 800 - 803



Model pompa	Presiune (bar)	Debit (l/h)	Frecventa max (impuls/min)	Capacitate impuls (cc/impuls)	Conexiuni (mm)		Alimentare	Consum (W)	
					Aspiratie	Refulare		Min	Max
AKL 500 N	20,0	0,4	120	0,06	4/6	4/7	100÷240 Vac	13	15
	16,0	0,8		0,11					
	10,0	1,2		0,17					
	6,0	1,5		0,21					
AKL 600 N	20,0	2,5	120	0,35	4/6	4/7	100÷240 Vac	14	19
	18,0	3,0		0,42					
	14,0	4,2		0,58					
	8,0	7,0		0,97					
AKL 603 N	12,0	4,0	160	0,42	4/6	4/6	100÷240 Vac	17	22
	10,0	5,0		0,52					
	8,0	6,0		0,63					
	2,0	8,0		0,83					
AKL 800 N	16,0	7,0	300	0,39	4/6	4/6	100÷240 Vac	22	33
	10,0	10,0		0,56					
	5,0	15,0		0,83					
	1,0	18,0		1,00					
AKL 803 N	5,0	20,0	300	1,11	8/12	8/12	100÷240 Vac	29	37
	4,0	32,0		1,78					
	2,0	62,0		3,44					
	0,0	110,0		6,11					

